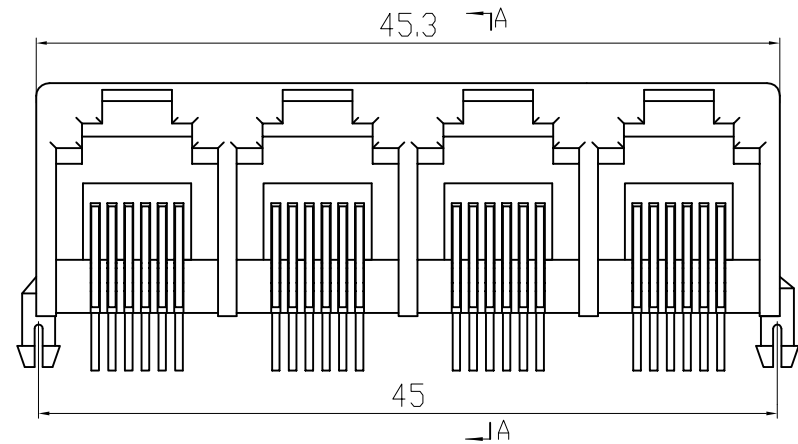
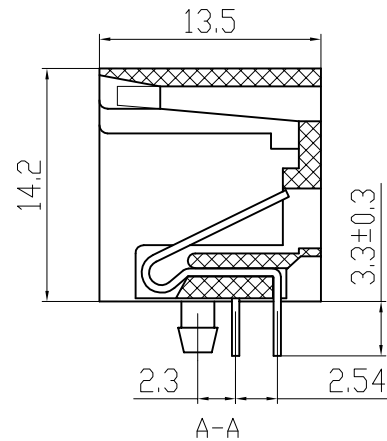


PC Board Layout



PCB JACK Specification

1. Insulation Resistance: 500M Ω MIN @ 500 VDC
2. Withstanding Voltage: AC1000V 50Hz or 60Hz 1min.
3. Durability: 600 Mating Circles MIN.
4. Gold Plating: (3;6;15;30;50) u inch
5. Tolerances Unless Otherwise Specified  
.0±0.25 .00±0.20 .000±0.10

|            |               |               |              |             |            |                  |               |
|------------|---------------|---------------|--------------|-------------|------------|------------------|---------------|
| 电话 (tel)   | 0769-81585156 | www.coorle.cn |              | Coorle 库乐科技 |            |                  |               |
| 传真 (fax)   | 0769-81605156 |               |              |             |            |                  |               |
| 单位 (units) | MM            | 设计 (draw)     |              | 材料 (mt' l)  |            | 图名 (name)        | 5521 1X4 6P6C |
| 比例 (scale) | 1 : 1         | 审核 (ch' k)    |              |             |            |                  |               |
| 版次 (rev.)  | A / 1         | 核准 (app' d)   |              | HOUSING     | PBT        | 料号 (Part number) |               |
| 视图 (view)  |               | 日期 (date)     | 2007. 08. 18 | PIN         | Qsn6.5-0.1 | 图档 (File Name)   |               |